

MTL50



Concrete solutions. Always.

Engine D1305

Power 18.2 kW - 24.4 HP

Operating weight 1.740 kg

 **EUROCOMACH**[®]

MTL50

Operating weight according to ISO 6016 (with shovel and operator)	kg	1.740
Transport weight - optional version with narrow tracks (NT) (without bucket 76 kg and operator 75 kg)	kg	1.440
Transport weight - optional version with wide tracks (WT) (without bucket 83 kg and operator 75 kg)	kg	1.580
Ground bearing pressure	kg/cm ²	0.37
Travelling speed	km/h	0 ÷ 7.5

ENGINE

Type	KUBOTA D1305	
Pollution emission level	EU Stage V - EPA Tier 4 Final	
Power	kW - HP	18.2 - 24.4
Displacement	cc	1.261
Number of cylinders	n°	3
Cooling	liquid	
Fuel	diesel	
Fuel consumption	lt/h	3,6
Alternator	V (A)	12 (40)
Battery	V (Ah)	12 (62)

HYDRAULIC SYSTEM

System type	Open center	
Transmission type	Hydrostatic with hydraulic tandem pump and radial piston motors	
Pump types	1 tandem pump + 1 gear pump	
Total gear pump flow rate	lt/min	54
Max. circuit calibration pressure	bar	210
Auxiliary system (max, pressure) AUX 1	lt/min (bar)	54 (175) 54 (210 max)

PERFORMANCES

Tipping load (ISO 14397)	kg	1.310 tracks 250 mm 1.250 tracks 180 mm
"Operating load (ISO 14397, no more than 35% of tipping load)"	kg	460 tracks 250 mm 440 tracks 180 mm
Bucket breaking force	daN	1.760
Bucket capacity	m ³	0.14 (1.080 mm) 0.12 (914 mm)"
Bucket width	mm	1.050 - 914
Traction force	daN	1.570
Max. slope	% / °	27 (15)

FILLINGS

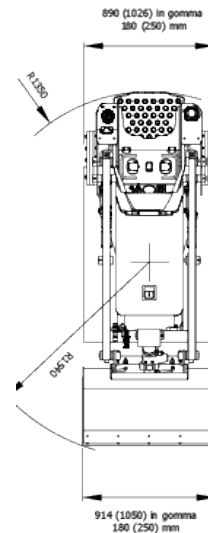
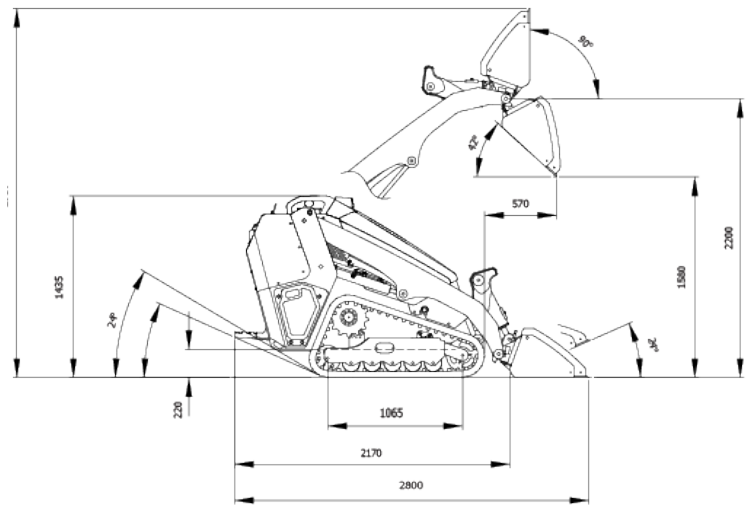
Fuel tank	lt	30,0
Hydraulic oil tank	lt	17,0
Hydraulic circuit capacity	lt	20,0
Cooling system capacity	lt	3,5
Engine oil	lt	4,5

CONTROLS

Hydraulic servo controls for working operations	2 Joysticks	
Arm and bucket	Right Joystick	
Travel drive	Left Joystick	
Auxiliary AUX 1	Potentiometer on right Joystick	

COUNTER WEIGHTS

Additional ballast weight (each)	kg	22
Number of ballast weights with narrow tracks (NT)		1+1
Number of ballast weights with wide tracks (WT)		3+3



UNDERCARRIAGE

Structure undercarriage	With fixed rollers	
Lower rollers	n°	5 right + 5 left (oil bath)
Rollers above	n°	n.d.
Chain tensioner type	grease hydraulic adjustment	
Rubber tracks	mm	250x72x45 180x72x45

 **EUROCOMACH**