

LOADING RAMPS

Our loading ramps are made of high-strength steel, to ensure maximum sturdiness and safety during loading/unloading operations. Ideal for handling rubber-tyred or rubber-tracked vehicles weighing between 0 and 10.5 tonnes.

HOW TO CHOOSE RAMPS:

To select the correct ramp model, the following data is required:

- machine weight;
- machine wheelbase;
- loading surface height.

1 The most important requirement for selection is the inclination, which must not exceed a maximum slope of 30%.

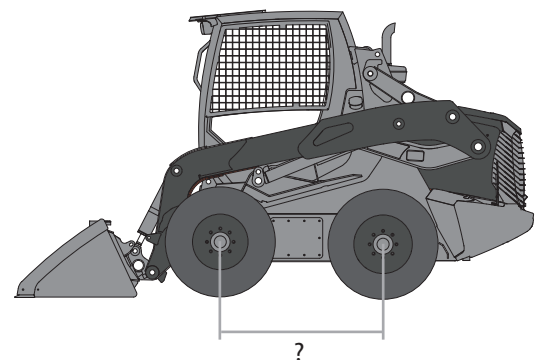
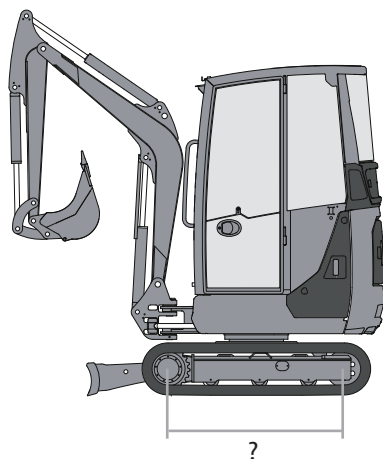
2 It is advisable to apply the following formula to find the minimum ramp length:

$$\text{LENGTH (mm)} = \frac{\text{SURFACE HEIGHT (mm)}}{\text{RECOMMENDED SLOPE (30\%)}} \times 100$$

Example:

$$\text{LENGTH} = \frac{1500}{30} \times 100 = 5,000 \text{ mm}$$

3 Take into account the measurement of the machine wheelbase; if the ramp is between two capacity values, consider the lowest one.



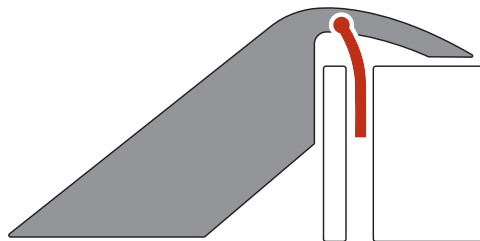


There are the following types of ramps:

- **RAMPS WITH EDGE:**
the transit surface is between two edges that act as a guide, reducing the possibility of leaving the ramp surface;
- **RAMPS WITHOUT EDGE:**
the transit surface has no edges, so it is possible to use the full width of the ramps.

TYPE OF RAMP FASTENING:

- **WITH TAB:** the ramps are equipped with a cylindrical guide inside which it is possible to slide a tab between the vehicle loading surface and the side panel. Do not use this method if the vehicle is not equipped with side panels. (Supplied as standard)



LOADING RAMPS

WITH EDGE

Code	Model	Length (mm)	Weight per pair (kg)	Max. wheelbase capacity (kg)*				Internal L. (mm)	External L. (mm)	Edge H. (mm)
				1000 (mm)	1500 (mm)	2000 (mm)	2500 (mm)			
B726000109	RCS 95-25	2500	40	2600	2950	2950	-	300	350	26
B726000110	RCS 95-30	2900	45	2050	2500	2500	-	300	350	26
B726000111	RCS 95-35	3500	52	1600	1850	2100	-	300	350	26
B726000112	RCS 116-25	2500	46	3800	4350	4350	-	300	350	40
B726000113	RCS 116-30	2900	52	3050	3650	3700	-	300	350	40
B726000114	RCS 116-32	3200	55	2650	3100	3350	-	300	350	40
B726000115	RCS 116-35	3500	60	2700	3100	3500	-	300	350	40
B726000116	RCS 116-40	4000	69	1950	2200	2500	-	300	350	40
B726000117	RCS 140-30	2900	56	4550	5400	5400	-	300	350	40
B726000118	RCS 140-32	3200	60	3900	4650	4850	-	300	350	40
B726000119	RCS 140-35	3500	63	3450	4000	4400	-	300	350	40
B726000120	RCS 140-40	3950	75	2900	3300	3800	-	300	350	40
B726000121	RCS 140-30W	2900	61	4850	4850	4850	-	350	400	40
B726000122	RCS 140-32W	3200	68	3900	4650	4850	-	350	400	40
B726000123	RCS 140-35W	3500	71	3950	4600	4850	-	350	400	40
B726000124	RCS 140-40W	3950	81	2900	3300	3800	-	350	400	40
B726000125	RCS 151-30	3000	88	5600	6750	6800	-	400	462	40
B726000126	RCS 151-32	3200	92	5100	6000	6300	-	400	462	40
B726000127	RCS 151-35	3400	97	4650	5450	5900	-	400	462	40
B726000128	RCS 151-40	4000	110	4300	4850	5550	-	400	462	40
B726000129	RCS 151-45	4500	121	3700	4100	4600	-	400	462	40
B726000130	RCS 151-30W	3000	94	5750	6900	6900	-	450	512	40
B726000131	RCS 151-32W	3200	97	5200	6200	6400	-	450	512	40
B726000132	RCS 151-35W	3400	102	4750	5550	6000	-	450	512	40
B726000133	RCS 151-40W	4000	118	3800	4300	4950	-	450	512	40
B726000134	RCS 151-45W	4500	132	3750	4150	4700	-	450	512	40
B726000135	RCS 171-30	3000	100	9950	11950	11950	-	470	542	40
B726000136	RCS 171-35	3400	110	7150	8350	8950	-	470	542	40
B726000137	RCS 171-40	4000	130	7450	8500	8650	-	470	542	40
B726000138	RCS 171-45	4400	141	5000	5600	6300	-	470	542	40
B726000139	RCS 171-50	5000	166	4850	5350	5950	-	470	542	40



Code	Model	Length (mm)	Weight per pair (kg)	Max. wheelbase capacity (kg)*				Internal L. (mm)	External L. (mm)	Edge H. (mm)
				1000 (mm)	1500 (mm)	2000 (mm)	2500 (mm)			
B726000140	RCS 171-30W	3000	114	10450	12500	12500	12500	520	592	40
B726000141	RCS 171-35W	3400	120	7500	8800	9400	9400	520	592	40
B726000142	RCS 171-40W	4000	138	5950	6750	7750	7800	520	592	40
B726000143	RCS 171-45W	4400	150	5200	5850	6600	7050	520	592	40
B726000144	RCS 171-50W	5000	172	4400	4850	5350	6000	520	592	40
B726000145	RCS 191-35	3500	135	9800	11450	12300	12300	500	570	40
B726000146	RCS 191-40	4000	150	9300	10600	12150	12150	500	570	40
B726000147	RCS 191-45	4400	166	7050	7900	8950	9450	500	570	40
B726000192	RCS 220-45	4500	212	8200	9200	10400	10400	550	612	60
B726000193	RCS 220-50	5000	232	7100	7850	8750	8750	550	612	60

* The load tests were carried out in the worst conditions (0% slope).

	Rubber coating for iron tracks
Code	B910020001
Price	€ 86.00 (for linear meter)

FREE SHIPPING when three or more pairs of ramps are ordered.

LOADING RAMPS

WITHOUT EDGE

Code	Model	Length (mm)	Weight per pair (kg)	Max. wheelbase capacity (kg)*				Internal L. (mm)	External L. (mm)	Edge H. (mm)
				1000 (mm)	1500 (mm)	2000 (mm)	2500 (mm)			
B726000148	RCS 95-25-SB	2500	40	2950	2950	2950	-	300	350	4
B726000149	RCS 95-30-SB	2900	45	2500	2500	2500	-	300	350	4
B726000150	RCS 95-35-SB	3500	52	1950	2250	2350	-	300	350	4
B726000151	RCS 116-25-SB	2500	46	4100	4600	4600	-	300	350	4
B726000152	RCS 116-30-SB	2900	52	3250	3900	3900	-	300	350	4
B726000153	RCS 116-32-SB	3200	55	2800	3300	3500	-	300	350	4
B726000154	RCS 116-35-SB	3500	60	2700	3100	3500	-	300	350	4
B726000155	RCS 116-40-SB	4000	69	2050	2300	2650	-	300	350	4
B726000156	RCS 140-30-SB	2900	56	4850	5650	5650	-	300	350	4
B726000157	RCS 140-32-SB	3200	60	4150	4850	4850	-	300	350	4
B726000158	RCS 140-35-SB	3500	63	3600	4250	4600	-	300	350	4
B726000159	RCS 140-40-SB	3950	75	3050	3450	4000	-	300	350	4
B726000160	RCS 140-30W-SB	2900	61	4900	4900	4900	-	350	400	4
B726000161	RCS 140-32W-SB	3200	68	4850	4900	4900	-	350	400	4
B726000162	RCS 140-35W-SB	3500	71	4200	4900	4900	-	350	400	4
B726000163	RCS 140-40W-SB	3950	81	4100	4500	4500	-	350	400	4
B726000164	RCS 151-30-SB	3000	88	6000	7100	7100	-	400	462	4
B726000165	RCS 151-32-SB	3200	92	5400	6450	6600	-	400	462	4
B726000166	RCS 151-35-SB	3400	97	4900	5800	6150	-	400	462	4
B726000167	RCS 151-40-SB	4000	110	4500	5100	5900	-	400	462	4
B726000168	RCS 151-45-SB	4500	121	3800	4250	4800	-	400	462	4
B726000169	RCS 151-30W-SB	3000	94	6150	7250	7250	-	450	512	4
B726000170	RCS 151-32W-SB	3200	97	5550	6600	6700	-	450	512	4
B726000171	RCS 151-35W-SB	3400	102	5050	5950	6250	-	450	512	4
B726000172	RCS 151-40W-SB	4000	118	3950	4500	5200	-	450	512	4
B726000173	RCS 151-45W-SB	4500	132	3850	4300	4850	-	450	512	4
B726000174	RCS 171-30-SB	3000	100	10550	12250	12250	-	470	542	4
B726000175	RCS 171-35-SB	3400	110	7500	8850	9000	-	470	542	4
B726000176	RCS 171-40-SB	4000	130	7800	8950	8950	-	470	542	4
B726000177	RCS 171-45-SB	4400	141	5150	5800	6600	-	470	542	4
B726000178	RCS 171-50-SB	5000	166	5000	5550	6150	-	470	542	4



Code	Model	Length (mm)	Weight per pair (kg)	Max. wheelbase capacity (kg)*				Internal L. (mm)	External L. (mm)	Edge H. (mm)
				1000 (mm)	1500 (mm)	2000 (mm)	2500 (mm)			
B726000179	RCS 171-30W-SB	3000	114	10900	12900	12900	12900	520	592	4
B726000180	RCS 171-35W-SB	3400	120	7750	9150	9650	9650	520	592	4
B726000181	RCS 171-40W-SB	4000	138	6100	6950	7950	7950	520	592	4
B726000182	RCS 171-45W-SB	4400	150	5350	6000	6800	7200	520	592	4
B726000183	RCS 171-50W-SB	5000	172	4500	4950	5500	6150	520	592	4
B726000184	RCS 191-35-SB	3500	135	9800	11450	12300	12300	500	570	4
B726000185	RCS 191-40-SB	4000	150	9300	10600	12150	12150	500	570	4
B726000186	RCS 191-45-SB	4400	166	7050	7900	8950	9450	500	570	4

* The load tests were carried out in the worst conditions (0% slope).

Rubber coating for iron tracks	
Code	B910020001
Price	€ 86.00 (for linear meter)

FREE SHIPPING when three or more pairs of ramps are ordered.