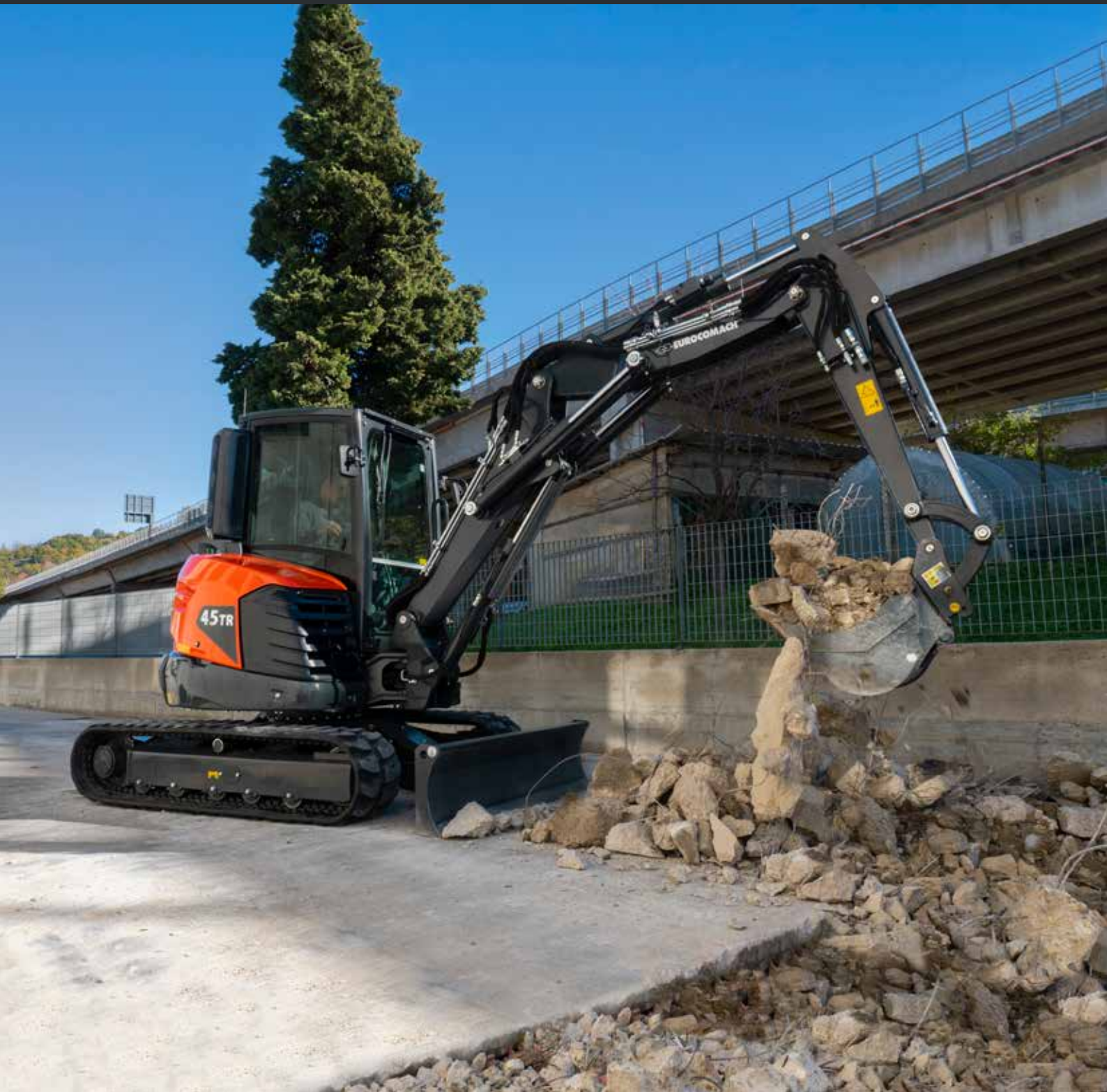


45TR



Concrete solutions. Always.

Engine D1803-CR-T

Engine power 32,3 kW - 43,9 HP

Operating Weight 4.450 - 4.600 kg

 **EUROCOMACH®**

45TR

Operating weight with canopy (with rubber tracks)	kg	4.450
Operating weight with cabin (with rubber tracks)	kg	4.600
Travelling speed (AUTO TWO SPEED)	km/h	1a : 0 ÷ 2,6 / 2a : 0 ÷ 4,5
Slew speed	rpm	10,5

ENGINE

Type	KUBOTA D1803-CR-T - STAGE 5	
Max. Power (2.300 rpm)	kW - HP	32,3 - 43,9
Displacement	cc	1.826
Number of cylinders	n°	3
Cooling	Liquid	
Consumption	lt/h	5,4
Alternator	V (A)	12 (60)
Battery	V (Ah)	12 (75)

HYDRAULIC SYSTEM

Circuit Type	Load Sensing closed center system with "Flow Sharing" control valve	
Pump type	1 LS hydraulic variable pump with electronic control + 1 gear pump	
Pump displacement	cc	53,7 + 11,2
Pump capacity	lt/min	107 + 22,3
Max. circuit calibration pressure	bar	280
Auxiliary systems (max pressure): AUX 1 single or double effect with priority AUX 2 double effect (optional)	lt/min (bar)	60 (200) 40/30 (280)

PERFORMANCES

Max. digging depth with standard arm (optional arm)	mm	3.230 (3.480)
Max. dumping height with standard arm (optional arm)	mm	4.620 (4.860)
Bucket breaking force (standard arm) ISO 6015	daN	4.300
Arm breaking force (standard arm) ISO 6015	daN	2.200
Traction force	daN	4.260
Ground bearing pressure with rubber tracks and canopy (with cabin)	kg/cm ²	0,32 (0,33)
Max. slope	60% - 30°	

DIMENSIONS

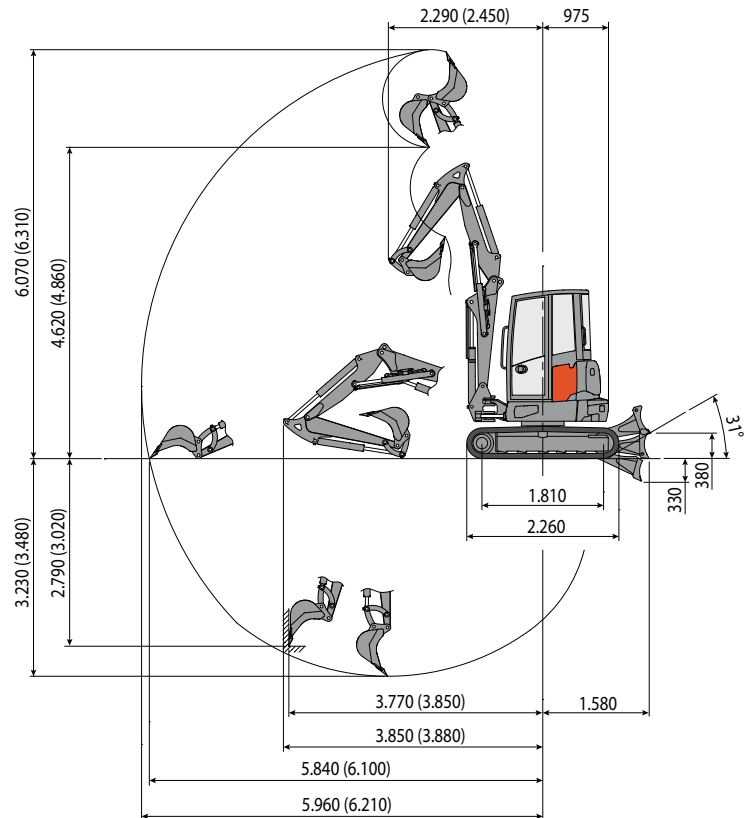
Maximum width	mm	1.750
Total height	mm	2.510
Rear rotation radius	mm	975
Digging arm length std (optional)	mm	1.400 (1.650)
Tracks width	mm	350
Rollers number (for each side)	n°	5/1

FILLINGS

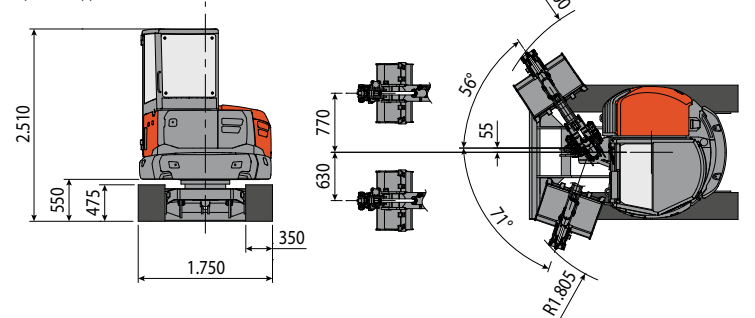
Fuel tank	lt	60
Hydraulic oil tank	lt	50
Hydraulic circuit capacity	lt	65
Cooling system capacity	lt	9
Engine oil	lt	7

CONTROLS

Boom, dipper stick, bucket and turret swing	2 pilot joysticks
Tracks movement (included counter rotation)	2 pilot levers
Dozer blade	pilot lever
Priority auxiliary system with holding function AUX 1 (single or double effect)	electroproportional switch on right joystick
Auxiliary system AUX 2 (double effect)	electroproportional switch on right joystick
Boom swing	electroproportional switch on left joystick



Standard dipper stick L=1.400
(Optional dipper stick L=1.650)



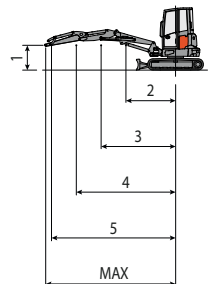
LIFTING CAPACITY

Opening arm from the rotation's center (m)
Lifting capacity (kg) at 1.0 m height

	2	3	4	5	MAX
Frontal and lowered dozer blade	*2.220	*1.170	*1.040	*930	*860
Frontal and lifted dozer blade	*2.220	*1.170	770	520	480
Lateral	1.580	870	560	370	340

* Indicates the hydraulic load limit.

The lifting capacity is based on the ISO 10567 and it does not exceed more than the 75% of static tipping load or more than the 87% of the hydraulic lifting capacity of the machine.



 **EUROCOMACH**