

# 22SR



Concrete solutions. Always.

Engine D1105

Engine power 15,4 kW - 20,9 HP

Operating Weight 2.090 - 2.190 kg

 **EUROCOMACH®**

# 22SR

|   |      |                             |
|---|------|-----------------------------|
| Operating weight with canopy (with rubber tracks) | kg   | 2.090                       |
| Operating weight with cabin (with rubber tracks)  | kg   | 2.190                       |
| Travelling speed                                  | km/h | 1a : 0 ÷ 2,6 / 2a : 0 ÷ 4,0 |
| Slew speed  | rpm  | 10,5                        |

## ENGINE

|                        |                               |             |
|------------------------|-------------------------------|-------------|
| Type                   | <b>KUBOTA D1105 - STAGE 5</b> |             |
| Max. Power (2.400 rpm) | kW - HP                       | 15,4 - 20,9 |
| Displacement           | cc                            | 1.105       |
| Number of cylinders    | n°                            | 3           |
| Cooling                | Liquid                        |             |
| Consumption            | lt/h                          | 3           |
| Alternator             | V (A)                         | 12 (40)     |
| Battery                | V (Ah)                        | 12 (62)     |

## HYDRAULIC SYSTEM

|  |   |           |
|--|---|-----------|
| Circuit Type   | Load Sensing closed center system with "Flow Sharing" control valve |           |
| Pump type  | 1 LS variable pump + 1 gear pump                                    |           |
| Pump displacement  | cc  | 25 + 4,95 |
| Pump capacity  | lt/min  | 52 + 10,3 |
| Max. circuit calibration pressure  | bar   | 240       |
| Auxiliary system (max pressure): AUX 1 single or double effect with priority | lt/min (bar)  | 50 (200)  |

## PERFORMANCES

|  |                    |               |
|--|--------------------|---------------|
| Max. digging depth with standard arm (optional arm)                | mm                 | 2.560 (2.760) |
| Max. dumping height with standard arm (optional arm)               | mm                 | 2.650 (2.760) |
| Bucket breaking force (standard arm) ISO 6015                      | daN                | 1.600         |
| Arm breaking force (standard arm) ISO 6015                         | daN                | 1.000         |
| Traction force   | daN                | 2.200         |
| Ground bearing pressure with rubber tracks and canopy (with cabin) | kg/cm <sup>2</sup> | 0,34 (0,35)   |
| Max. slope   | 60% - 30°          |               |

## DIMENSIONS

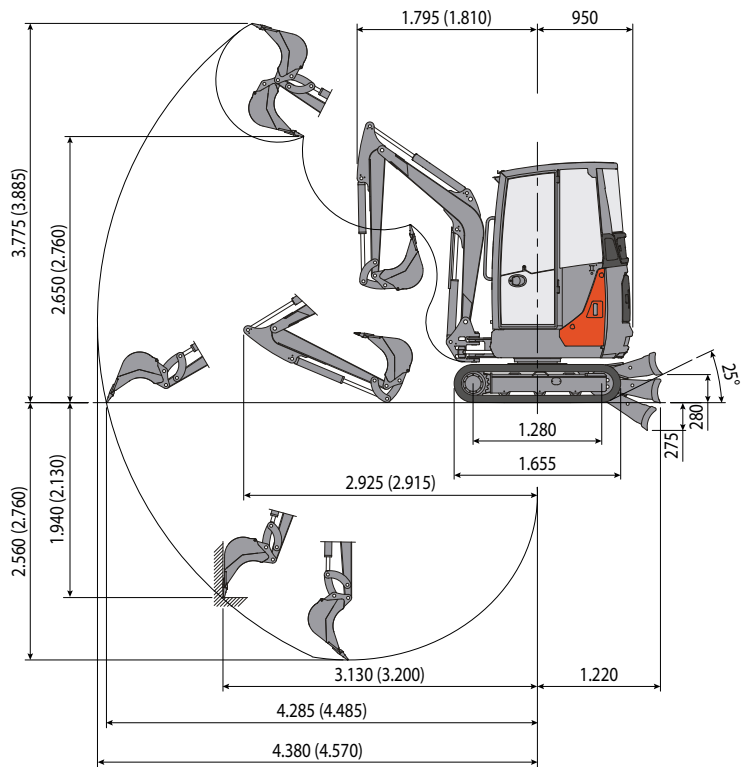
|                                   |    |               |
|-----------------------------------|----|---------------|
| Maximum width                     | mm | 990 - 1.300   |
| Total height                      | mm | 2.395         |
| Rear rotation radius              | mm | 950           |
| Digging arm length std (optional) | mm | 1.250 (1.450) |
| Tracks width                      | mm | 230           |
| Rollers number (for each side)    | n° | 3             |

## FILLINGS

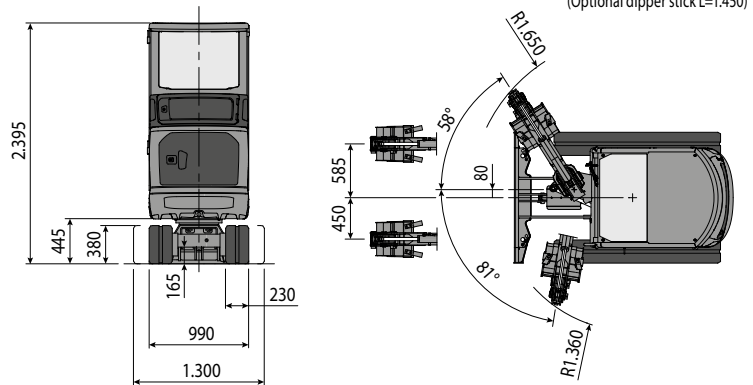
|                            |    |     |
|----------------------------|----|-----|
| Fuel tank                  | lt | 20  |
| Hydraulic oil tank         | lt | 16  |
| Hydraulic circuit capacity | lt | 25  |
| Cooling system capacity    | lt | 4   |
| Engine oil                 | lt | 4,4 |

## CONTROLS

|   |  |
|---|--|
| Boom, dipper stick, bucket and turret swing                                     | 2 pilot joysticks                            |
| Track movements   | 2 pilot levers                               |
| Dozer blade   | pilot lever                                  |
| Priority auxiliary system with holding function AUX 1 (single or double effect) | electroproportional switch on right joystick |
| Boom swing  | electroproportional switch on left joystick  |



Standard dipper stick L=1.250  
(Optional dipper stick L=1.450)



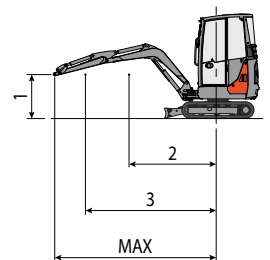
## LIFTING CAPACITY

Opening arm from the rotation's center (m)  
Lifting capacity (kg) at 1.0 m height

|                                 | 2    | 3    | MAX  |
|---------------------------------|------|------|------|
| Frontal and lowered dozer blade | *760 | *480 | *420 |
| Frontal and lifted dozer blade  | *760 | 410  | 290  |
| Lateral, open undercarriage     | 700  | 350  | 260  |

\* Indicates the hydraulic load limit.

The lifting capacity is based on the ISO 10567 and it does not exceed more than the 75% of static tipping load or more than the 87% of the hydraulic lifting capacity of the machine.



 **EUROCOMACH**