

50zT



Concrete solutions. Always.

Engine V2403-CR-T

Engine power 42,6 kW - 57,9 HP

Operating weight 4.800 kg

 **EUROCOMACH®**

50zT

Operating weight with cabin (with rubber tracks)	kg	4.800
Travelling speed (AUTO TWO SPEED)	km/h	1a: 0 ÷ 2,6 / 2a: 0 ÷ 4,5
Slew speed	rpm	10,5

ENGINE

Type	KUBOTA V2403-CR-T - STAGE 5	
Max. Power (2.300 rpm)	kW - HP	42,6 - 57,9
Displacement	cc	2.434
Number of cylinders	n°	4
Cooling	water	
Consumption	lt/h	6,9
Alternator	V (A)	12 (60)
Battery	V (Ah)	12 (95)

HYDRAULIC SYSTEM

Circuit Type	Load Sensing closed center system with "Flow Sharing" control valve	
Pump type	1 LS hydraulic variable pump with electronic control + 1 gear pump	
Pump displacement	cc	65 + 14,5
Pump capacity	lt/min	129 + 28,8
Max. circuit calibration pressure	bar	280
Auxiliary systems (max pressure): AUX 1 single or double effect with priority AUX 2 double effect (optional)	lt/min (bar)	70 (200) 40/30 (280)

PERFORMANCES

Max. digging depth with standard arm (optional arm)	mm	3.330 (3.580)
Max. dumping height with standard arm (optional arm)	mm	3.920 (4.080)
Bucket breaking force (standard arm) ISO 6015	daN	4.300
Arm breaking force (standard arm) ISO 6015	daN	2.350
Traction force	daN	5.420
Ground bearing pressure with rubber tracks and cabine	kg/cm ²	0,28
Max. slope	60% - 30°	

DIMENSIONS

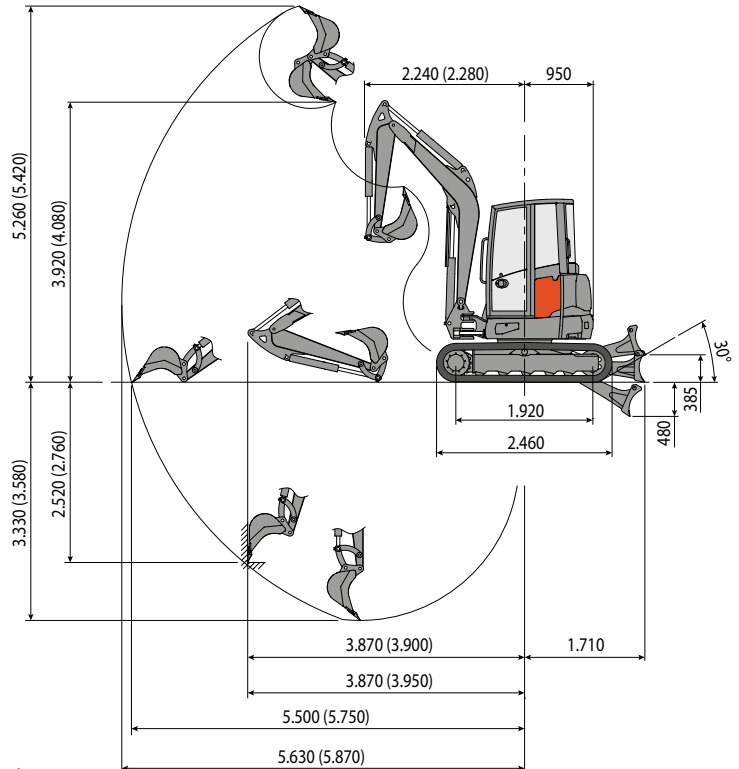
Maximum width	mm	1.900
Total height	mm	2.570
Rear rotation radius	mm	950
Digging arm length std (optional)	mm	1.500 (1.750)
Tracks width	mm	400
Rollers number (for each side)	n°	5/1

FILLINGS

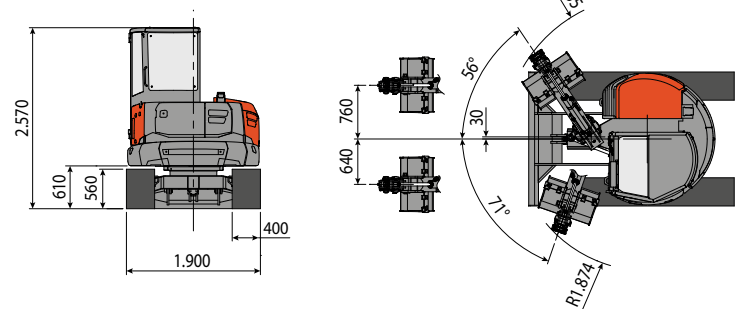
Fuel tank	lt	75
Hydraulic oil tank	lt	65
Hydraulic circuit capacity	lt	85
Cooling system capacity	lt	11
Engine oil	lt	9,5

CONTROLS

Boom, dipper stick, bucket and turret swing	2 pilot joysticks
Tracks movement (included counter rotation)	2 pilot levers
Dozer blade	pilot lever
Priority auxiliary system with holding function AUX 1 (single or double effect)	electroproportional switch on right joystick
Auxiliary system AUX 2 (double effect)	electroproportional switch on right joystick
Boom swing	electroproportional switch on left joystick



Standard dipper stick L=1.500
(Optional dipper stick L=1.750)



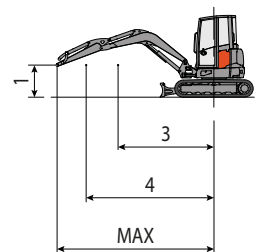
LIFTING CAPACITY

Opening arm from the rotation's center (m)
Lifting capacity (kg) at 1.0 m height

	3	4	MAX
Frontal and lowered dozer blade	*1.830	*1.280	*1.090
Frontal and lifted dozer blade	1.290	850	630
Lateral	960	650	480

* Indicates the hydraulic load limit.

The lifting capacity is based on the ISO 10567 and it does not exceed more than the 75% of static tipping load or more than the 87% of the hydraulic lifting capacity of the machine.



 **EUROCOMACH**